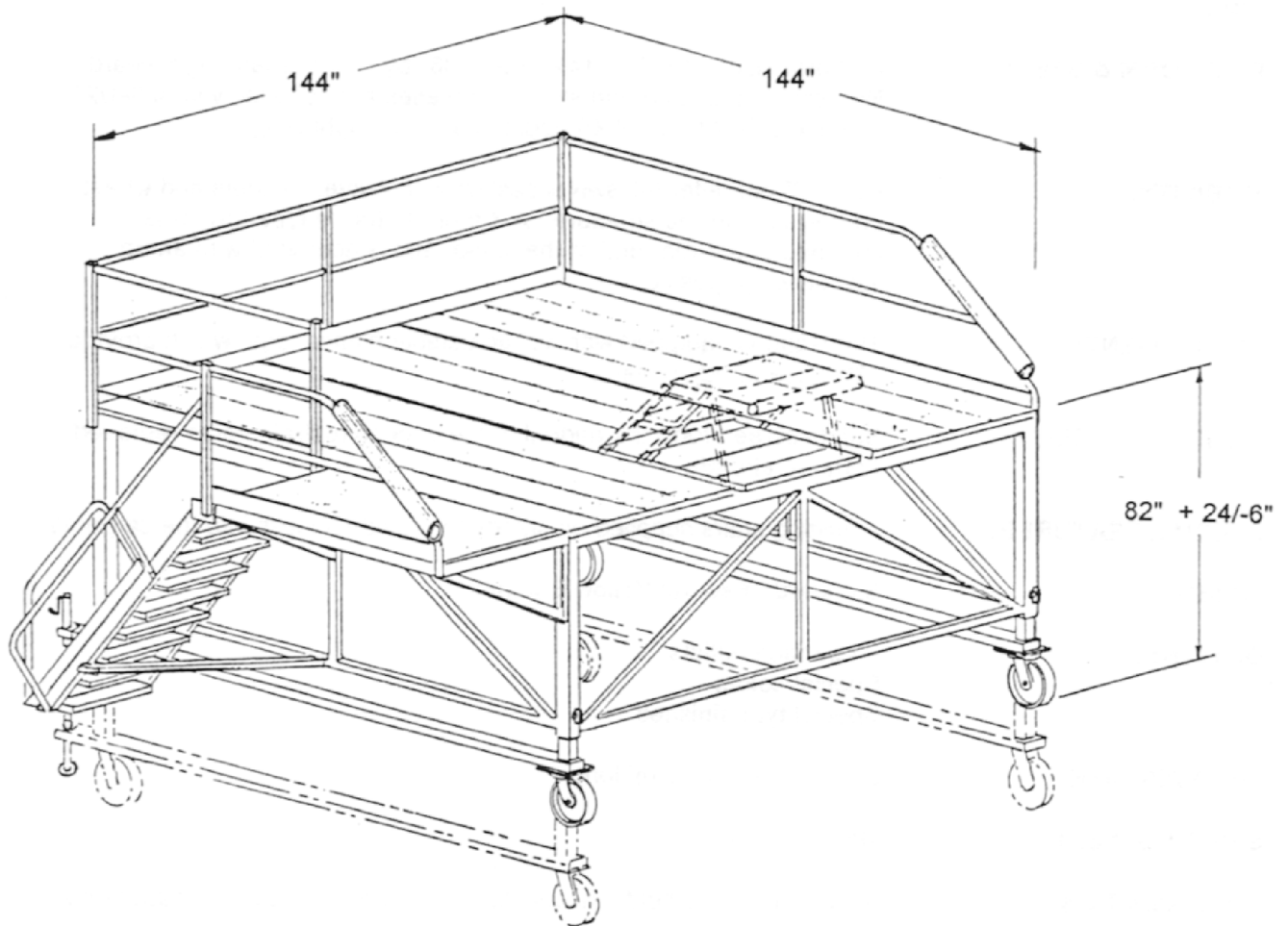




DAE Industries
(502) 589-1445
www.DAEind.com

WIDE BODY LOWER CARGO STAND

3494



WIDE BODY AIRCRAFT FORWARD CARGO STAND

Assembly -01 for A-300 Shown
Assembly -03 for DC-10 MD-11 A-330

**FORWARD CARGO DOOR STAND FOR WIDE BODY AIRCRAFT
With Self Adjusting Staircase**

CONSTRUCTION:	This unit is manufactured of A500-grade B high strength square, round and rectangular steel tubing that is welded into strong lightweight modules. These modules are then bolted together using grade 5 or better hardware resulting in solid, highly mobile equipment.
CAPACITY:	1000 pounds or 4 men and equipment.
PLATFORM & STEPS:	Platform size is 144" by 144" with a 38" by 72" stair landing forward. Non-skid galvanized grip strut. Staircases are 36" wide with a 9-1/2" rise and a 9-1/2" run at 45 degrees at mid height range.
MOBILITY:	Four 12" diameter full swivel casters with swivel lockouts and wheel brakes support the structure. A 3 foot "A" frame type towbar is attached to the rear end of the stand and is equipped with an up lock stowage position.
ADJUSTMENT:	The stand is equipped with 36" adjustable pinned legs, which provide 36" range of adjustment.
SAFETY FEATURES:	Safety screen form the midrail to the deck to restrain items removed from the aircraft.
SPECIAL FEATURES:	Adjusting stairs supplied on stands to provide access into the cargo hold.
FINISH:	Standard; Federal Yellow Enamel.
OPTIONS:	Air service outlets Special colors Special type finishes
SHIPPING SIZE:	8' wide x 5' high x 14' long
SHIPPING WEIGHT:	1800 pounds
EQUIPMENT USE:	Access to cargo hold, inspection and. service or repair of cargo door including swing operation.
SUPPORT:	Manuals to ATA 101 specifications are supplied with each stand. Manuals include: Description/Operation; Maintenance; Overhaul (Which include the total assembly and disassembly instructions for the equipment) & Illustrated Parts List.