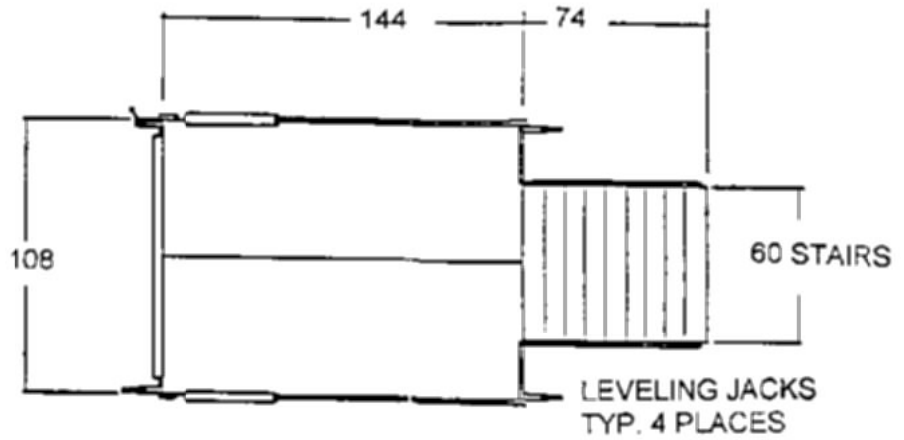




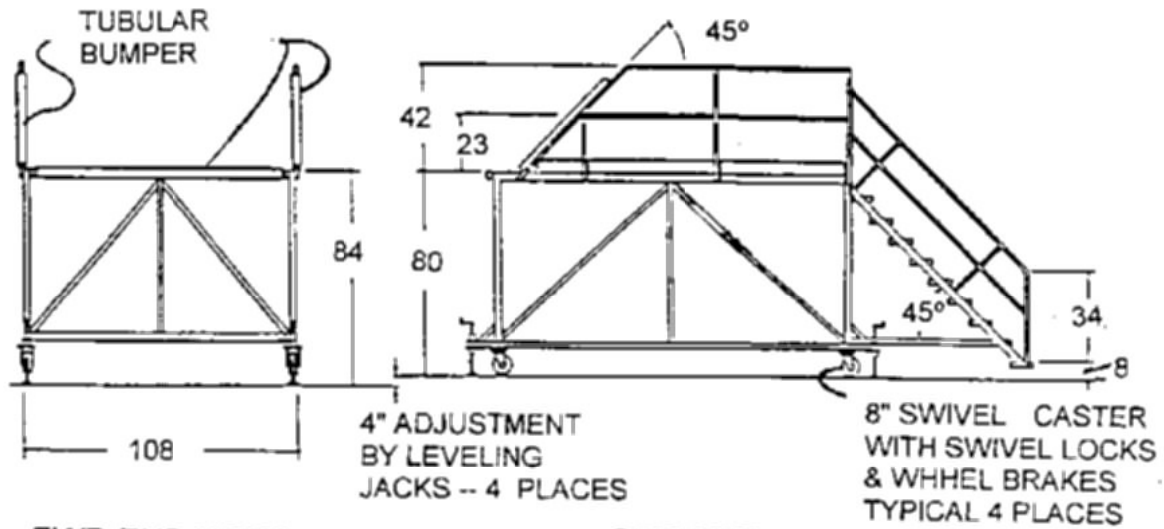
CARGO DOOR ACCESS STAND

DAE Industries
(502) 589-1445
www.DAEind.com

3552
406



PLAN VIEW



FWD END VIEW

SIDE VIEW

MODEL 3552 CARGO DOOR ACCESS STAND
A320 AIRCRAFT FWD & AFT CARGO HOLDS



DAE Industries
(502) 589-1445
www.DAEind.com

MODEL 3552 MAINTENANCE STAND A-320 CARGO DOOR ACCESS Forward and Aft Doors

- CONSTRUCTION:** This unit is manufactured of A500~rade B high strength square, round and rectangular steel tubing that is welded into strong lightweight modules. These modules are then bolted together using grade 5 or better hardware resulting in solid, highly mobile equipment.
- CAPACITY:** 500 pounds or 2 men and equipment.
- PLATFORM & STEPS:** Standard platform size is 9'X 12'. Steps approximately 60" wide
- MOBILITY:** Four (4) swivel casters with swivel locks and brakes. The wheels are polyurethane. Ground locks are by four (4) manually operated screw Jacks.
- SAFETY FEATURES:** Tubular bumpers to protect the aircraft from damage.
- ADJUSTMENT:** Fixed height. Four inches (4") of adjustment can be obtained by the leveling jacks.
- FINISH:** Standard: White / Safety Yellow Polyurethane
- OPTIONS:**
- | | |
|-----------------------|---------------------------------|
| Air service outlets | Special casters |
| Special colors | Water/Chemical lines |
| Special type finishes | Special platform configurations |
| Adjustable Height | |
- SHIPPING SIZE:** Partially disassembled, 9'X 7'X 18'.
- SHIPPING WEIGHT:** 1300 pounds.
- EQUIPMENT USE:** General crew access and for use as a work plattform for work around the cargo door.